

**PAN AND TILTS : DC**
**P66 Light Duty Pan & Tilt**
**DESCRIPTION**

A compact light duty precision pan & tilt unit. Ideal for use outdoors or indoors.

**PRODUCT IMAGE**

**TECHNICAL INFORMATION**

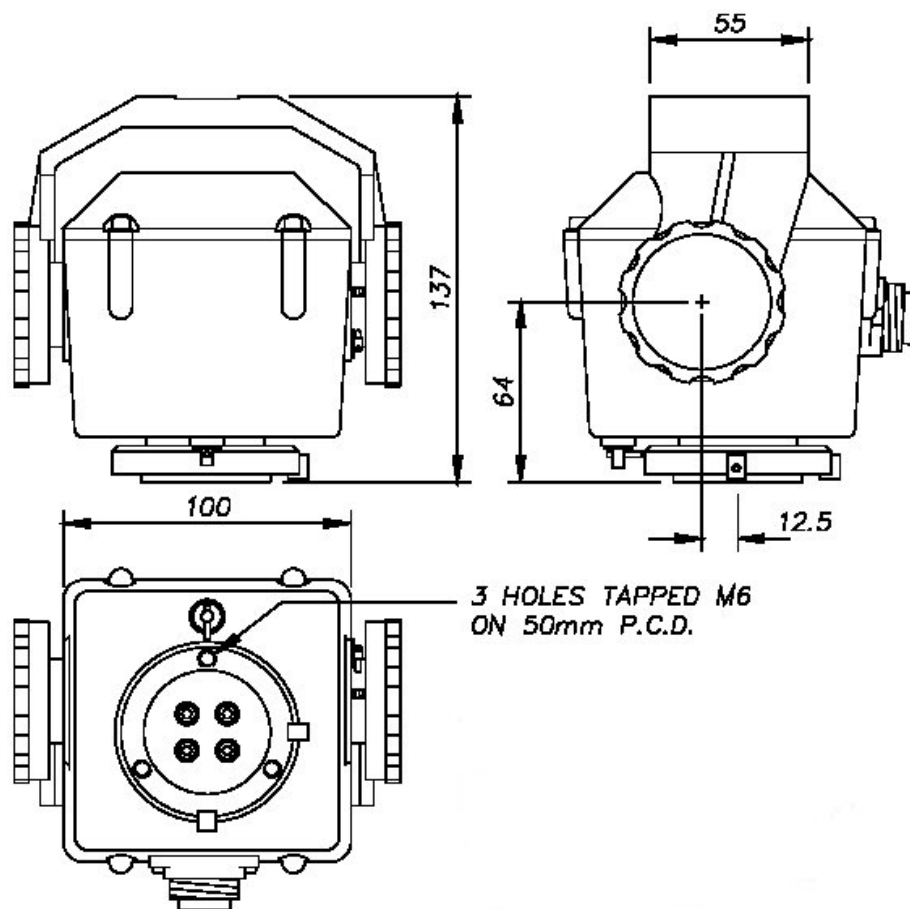
<b>Product Specification</b>	IP66 Weatherproofing. Requires adaptor BAHS02 to fit HS02 housing.
<b>Dimensions</b>	134 x 110 x 137mm (LWH)
<b>Unit Weight</b>	1.9kg
<b>Temperature Range</b>	-20°C to +70°C
<b>Environmental</b>	IP66 BS EN 60 529
<b>Power Consumption</b>	400mA Max.
<b>Power Supply</b>	12V DC
<b>Colour</b>	RAL7032 Polyester Powdercoat Leatherette Full Gloss
<b>Load Weights</b>	3Kg
<b>Pan Speed</b>	0 - 10°/s
<b>Tilt Seed</b>	0 - 4°/s
<b>Rotation</b>	350° Max.
<b>Variable Speed</b>	As Standard

<b>Backlash</b>	Less than 0.3°
<b>Main Bearings</b>	Precision Ball Races
<b>Seals</b>	Neoprene
<b>Pan Travel</b>	±175° Max.
<b>Tilt Travel</b>	45° Up, 80° Down
<b>Camera Presets</b>	Optional

## ADDITIONAL INFORMATION

Suitable Housing HS02  
Mounting Method Over-the-Top (OTT)

## TECHNICAL IMAGE



## PRODUCT CODES & VERSIONS

P66/D12 (P66 Light Duty 12V DC OTT Pan & Tilt)  
P66-P/D12 (P66 Light Duty 12V DC OTT PRESETS Pan & Tilt)

DSP66D12UK.I2.PDF, Issue Date 05/03 Page 34  
Copyright © 2003 Bewator Ltd. All rights reserved.



Bewator Limited, Albany Street, Newport, South Wales, NP20 5XW, UK.

T: +44 (0)1633 821000 F: +44 (0)1633 850893 E: sales@bewator.co.uk W: www.bewator.co.uk